
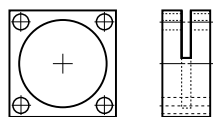
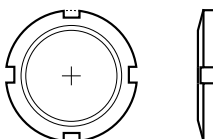





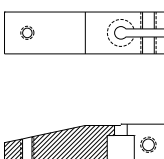



Hydraulic Clamping		Page
	010-210-400	19.2-19.3
	010-210-501	
	010-210-702	
	010-211-002	
	010-211-004	
	010-211-502	
	010-211-504	
	010-212-004	
	052-Series	19.3
	051-Series	19.3
	020-011-011DE	19.4
	020-012-021DE	
	020-013-031DE	

Hydraulic Clamping		Page
	030-1-S-475	19.6
	030-1-D-475	
	030-1-S-1100	19.7
	030-1-D-1100	
	030-1-S-2400	19.8
	030-1-D-2400	
	030-1-S-4000	19.9
	030-1-D-4000	19.9
	031-S-475	19.1-19.11
	031-L-475	
	031-S-1100	
	031-L-1100	
	031-S-2400	
	031-L-2400	
	031-S-4000	
	031-L-4000	
	039-101-000DE	19.12
	039-104-000DE	
	039-108-000DE	
	039-109-000DE	

Series 010 Hydraulic Threaded Body Cylinders Product Overview

The single-action, spring-return hydraulic power cylinders are small pistons that can be used singly or combined. They offer tremendous force in a small, easily mounted package that can be used in any attitude and requires only a single inlet port. They are often used grouped together by a common manifold to provide as much force as needed for the operation. For a relatively small volume of oil, they provide exceptional exerting force, and are generally the best choice if stroke lengths can be kept short.



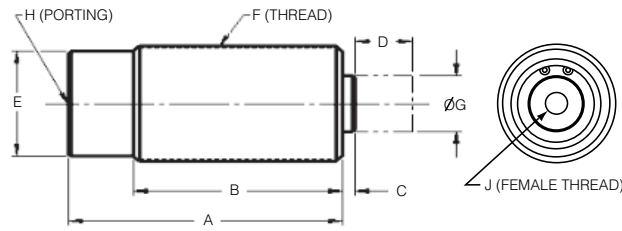
Features:

- Threaded body for easy mounting
- Small size permits “low profile” workholding
- Accessories available for easy mounting
- Available in metric or inch sizes (Metric on special request)
- Hardened piston and rod
- Single-acting for simple plumbing
- Wide variety of sizes and strokes
- Pressure capacity up to 5,000 PSIG, provided piston does not bottom out

Technical Information

Model no.	SAE Ports	Threaded Body	Stroke	Force at 3,000 PSIG	Oil Displacement	Effective Area For Clamping	Jamnuts
010-210-400	#2	1/2-20	0.22	279 lbs.	0.024 cu. in.	0.110	Furnished
010-210-501	#4	3/4-16	0.31	588 lbs.	0.061 cu. in.	0.196	Furnished
010-210-702	#4	1-12	0.50	1,326 lbs.	0.221 cu. in.	0.442	Furnished
010-211-002	#4	1 5/16-16	0.50	2,355 lbs.	0.393 cu. in.	0.785	Optional
010-211-004	#4	1 5/16-16	1.00	2,355 lbs.	0.785 cu. in.	0.785	Optional
010-211-502	#4	1 7/8-16	0.50	5,301 lbs.	0.884 cu. in.	1.767	Optional
010-211-504	#4	1 7/8-16	1.00	5,301 lbs.	1.767 cu. in.	1.767	Optional
010-212-004	#4	2 1/2-16	1.00	9,423 lbs.	3.142 cu. in.	3.142	Optional

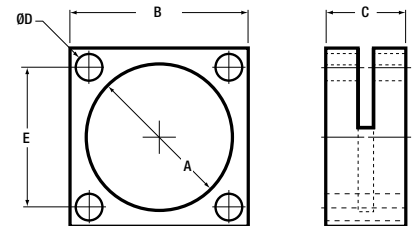
Series 010 Hydraulic Threaded Body Cylinders Standart Dimensions



Model no.	Dimensions (In Inches)								
	A	B	C	D	E	F	G	H	J
010-210-400	1.66	1.41	0.19	0.22	.044 Hex	1/2-20	0.15	SAE #2	-
010-210-501	2.25	1.97	0.22	0.31	.062 Hex	3/4-16	0.22	SAE #4	-
010-210-702	2.56	2.31	0.31	0.50	.075 Hex	1-12	.024	SAE #4	-
010-211-002	2.63	2.25	0.13	0.50	1.00 Hex	1 5/16-16	0.64	SAE #4	1/4-20
010-211-004	3.63	3.25	0.12	1.00	1.00 Hex	1 5/16-16	0.64	SAE #4	1/4-20
010-211-502	2.94	2.57	0.13	0.50	1.50 Hex	1 7/8-16	1.00	SAE #4	5/16-18
010-211-504	4.59	4.22	0.14	1.00	1.50 Hex	1 7/8-16	1.00	SAE #4	5/16-18
010-212-004	4.13	3.76	0.13	1.00	2.00 Hex	2 1/2-16	1.50	SAE #4	5/16-18

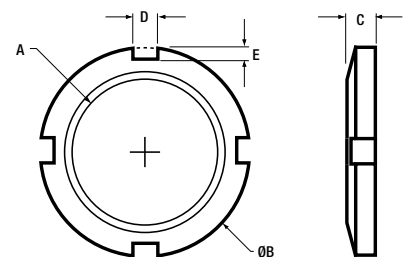
Series 052 Flange Mount

Model no.	Dimensions (In Inches)				
	A	B	C	øD	E
052-112-160	1 1/8-16 UN 2B	1.50	0.50	0.22	1.030
052-131-160	1 5/16-16 UN 2B	1.69	0.50	0.27	1.250
052-137-180	1 3/8-16 UN 2B	1.75	0.50	0.27	1.340
052-187-160	1 7/8-16 UN 2B	2.25	1.00	0.34	1.770
052-250-160	2 1/2-16 UN 2B	3.00	1.00	0.34	2.170



Series 051 Jam Nut

Model no.	Dimensions (In Inches)				
	A	B	C	D	E
051-112-160	1 1/8-16 UN 2B	1.500	0.31	0.250	0.250
051-131-160	1 5/16-16 UN 2B	1.688	0.31	0.250	0.250
051-137-180	1 3/8-16 UN 2B	1.875	0.31	0.250	0.250
051-187-160	1 7/8-16 UN 2B	2.625	0.38	0.312	0.132
051-250-160	2 1/2-16 UN 2B	3.250	0.50	0.312	0.312



Series 020 Thru-Hole Hydraulic Ram Product Overview

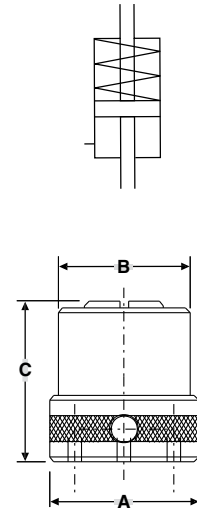
By inserting a rod through the hollow piston, these cylinders can be used to push or pull depending on the orientation of the ram. They will actuate a rod of any length or shape and are extremely effective in translating power to a remote location. Greater forces are generated in these thru-hole rams because of their larger piston area.

Features:

- Larger piston diameter for greater clamping forces
- Hardened steel piston and rod
- Single-acting for simple plumbing
- Optional threaded inserts
- Optional mounting plate (permits mounting ram with a single cap screw)



Symbol



Model no.	RAM I.D.*	Port	Stroke	Force at 3,000 PSIG	Oil Displacement	Dimensions		
						A	B	C
020-011-011DE	0.38	SAE #2	0.38	4,380 lbs.	0.547 cu. in.	2.13	1.88	2.25
020-012-021DE	0.50	SAE #4	0.50	8,100 lbs.	1.35 cu. in.	3.00	2.63	2.88
020-013-031DE	0.63	SAE #4	0.63	12,066 lbs.	2.51 cu. in.	3.25	3.00	3.63

* Clearance for rod or bolt of given dimension.

Maximum input pressure 3,500 PSIG.

Accessories

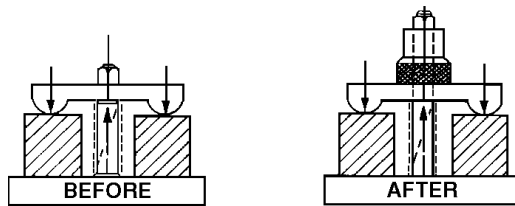
All size thru-hole rams are supplied with a thru-hole insert threaded into the top. Optional threaded inserts, inch or metric, are also available.

RAM no.	Thru-Hole Insert (supplied)
020-011-011DE	705384
020-012-021DE	705512
020-013-031DE	705634

A thru-hole ram easily converts a manual strap clamp into an automatic hydraulic powered clamp. Usually a longer bolt is the only part needed to make this conversion.

Loads Transmitted by Various Diameter Screws		
Bolt Size	Wrench Length	F-lbs. (Average)
1/4 UNF	4.00	2,400 lbs.
1/4 UNF	4.00	1,920 lbs.
3/8 UNF	5.75	3,000 lbs.
3/8 UNF	5.75	2,920 lbs.
1/2 UNF	8.00	4,200 lbs.
1/2 UNF	8.00	3,640 lbs.
5/8 UNF	9.00	5,600 lbs.
5/8 UNF	9.00	5,600 lbs.
3/4 UNF	9.00	4,800 lbs.
3/4 UNF	11.00	4,200 lbs.
7/8 UNF	12.00	50,400 lbs.

To determine how much force is needed to replace a manual clamp, use this chart as a guide.



Series 020 Thru-Hole Hydraulic Rams Technical Information

Calculation of Forces Using Straps and Levers

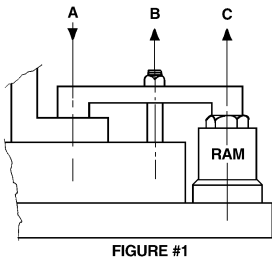


FIGURE #1

Figure #1
When the distance AB is equal to the distance BC the force upward from Model 020-011-011DE Ram "C" is equal to the downward force "A" on the part.

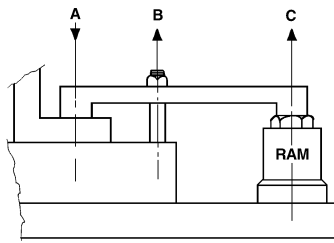


FIGURE #2

Figure #2
The downward force "A" is equal to the upward force "C" times a ratio of the distance BC:AB.
Example:
AB = 2", BC = 4", Force "C" = 1,000 lbs.
Force "A" = Force "C" x $\frac{BC}{AB}$
"A" = 1,000 lbs. x $\frac{4}{2}$
"A" = 2,000 lbs.

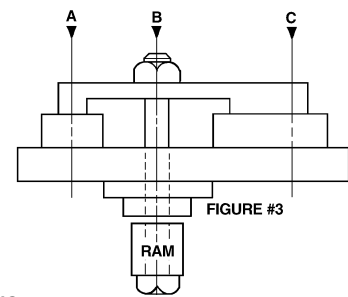


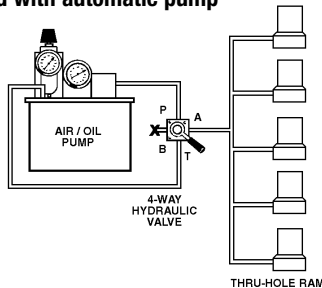
FIGURE #3

Figure #3
When Force "B" from Model 020-011-011DE Hollow Bore is divided between "A" & "C", the forces at "A" & "C" are in inverse ratio to the distance AB & BC respectively.
Force "A" = Force "B" x $\frac{BC}{AB}$
Force "C" = Force "B" x $\frac{AB}{AC}$
Example:
AB = 2", BC = 4", Force "B" = 1,000 lbs.
Force "A" = 1,000 lbs. x $\frac{4}{6}$ = 666.7 lbs.
Force "C" = 1,000 lbs. x $\frac{2}{6}$ = 333.3 lbs.

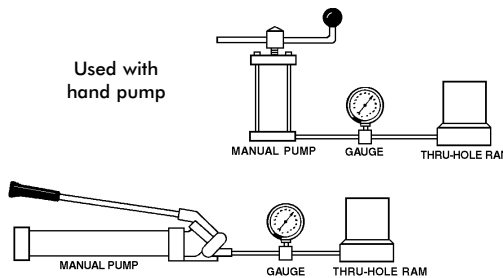
Power Sources

Thru-hole Rams can be powered by automatic pumps, hand pumps, boosters or existing machine hydraulics.

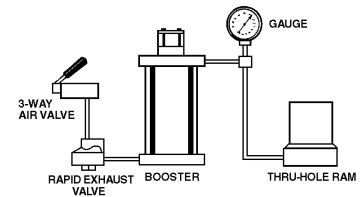
Used with automatic pump



Used with hand pump

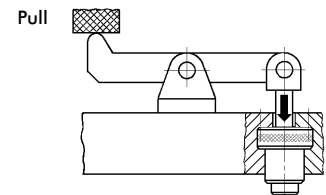
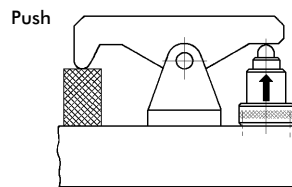
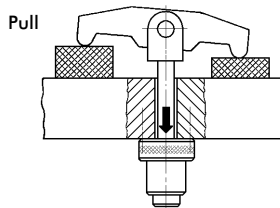
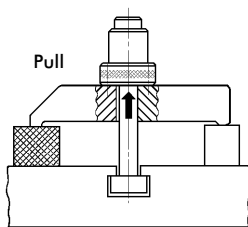


Used with booster



Multiple Uses

Thru-hole Rams can be used to push or pull depending on the position of the ram.



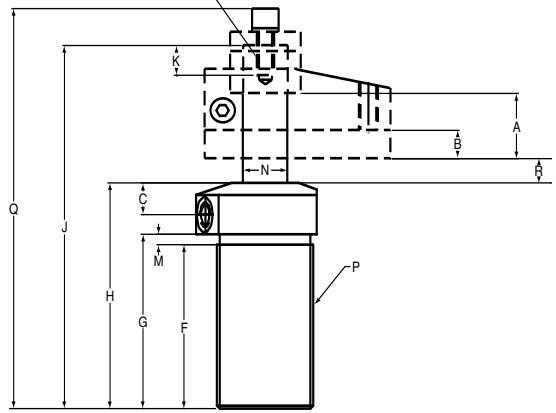
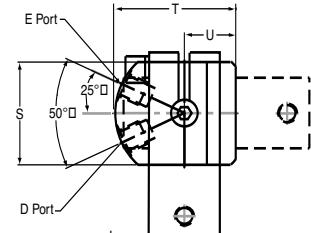
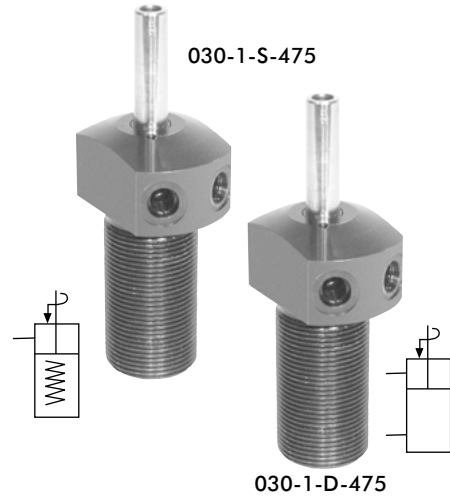
Series 030 Hydraulic Swing/Pull Clamps – 475 lb.

The DE-STA-CO Threaded Body Swing/Pull Clamps are available in both single-acting and double-acting versions. They incorporate the latest hydraulic swing clamp technology. The top port design allows easy access for plumbing connections.

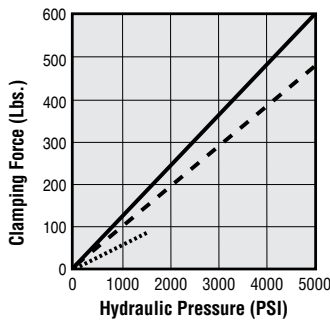
They are available with 90° left or right hand rotation, or with guided straight pull. The breather port on single-acting models may be replaced with tubing for remote venting. The optional arms clamp securely to the piston rod to reduce fatigue and deflection. Arms may be easily modified or custom arms may be substituted.

Features:

- Advanced seals and wipers utilize a special, highly wear-resistant construction for long cycle life and 5,000 PSI operation
- Triple track piston rod design for field adjustable swing direction
- Hardened and hard chrome plated piston rod for increased strength and wear resistance
- Advanced metal treated body for superior wear and corrosion resistance
- MRO interchange design
- Straight pull capacity 600 lbs. at 5,000 PSI max



For 475 lb. Swing/Pull Clamp Arms see Page 19.10



Performance

- With 031-L-475 Arm (3.25' long)
- - - With 0-31-S-475 Arm (1.22' long)
- Straight Pull

Cat. no.	Specifications							Max Oil Flow in ³ /m in
	Oper.	Swing Direction	*Force (lbs.)	Eff. Area (sq. In.) Clamp Unclamp	Oil Cap. (cu. In.) Clamp Unclamp			
030-1-S-475 (-X)	Single-Acting	Left Hand (Counter Clockwise) Right Hand (Clockwise)	475	0.12	-	0.08	-	12
030-1-D-475 (-X) ^①	Double-acting	Straight Pull		0.24	0.15			

- Ordering Notes:
- Left hand swing (ccw) is standard—no suffix
 - Add -R suffix for right hand swing
 - Add -S suffix for straight guided pull

Cat. no.	Specifications																		
	A Total Stroke	B Clamping Stroke	C	D Clamp Port	E Unclamp Port	F	G	H	J	K	L	M	N	P	Q	R	S	T	U
030-1-S-475	0.65	0.210	0.59	SAE-2	SAE-2	1.929	2.086	3.07	4.429	0.8	M6x1	0.157	0.393	1-1/8-16UN	4.96	0.495	1.3	1.55	0.61
030-1-D-475 ^①	0.65	0.32	0.59																

^① This item is available upon request

NOTE: ^aWith 1.22" long arm at 5,000 PSI maximum operating pressure.
^bDo not pressurize – single-acting only
[†] See page 19.10 for arms, accessories and custom arm mounting



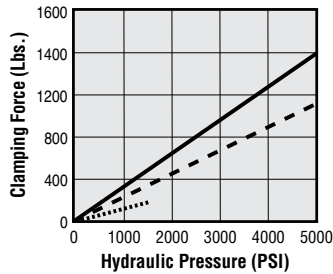
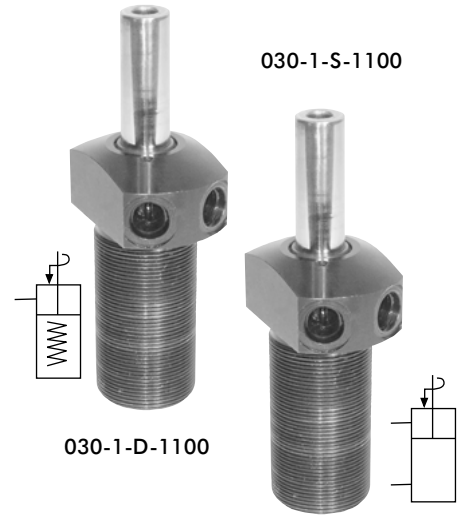
Series 030 Hydraulic Swing/Pull Clamps – 1,100lb.

The DE-STA-CO Threaded Body Swing/Pull Clamps are available in both single-acting and double-acting versions. They incorporate the latest hydraulic swing clamp technology. The top port design allows easy access for plumbing connections.

They are available with 90° left or right hand rotation, or with guided straight pull. The breather port on single-acting models may be replaced with tubing for remote venting. The optional arms clamp securely to the piston rod to reduce fatigue and deflection. Arms may be easily modified or custom arms may be substituted.

Features:

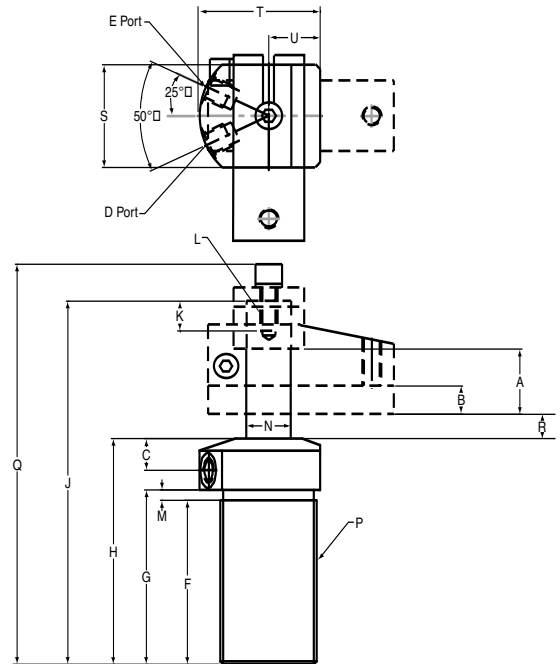
- Advanced seals and wipers utilize a special, highly wear-resistant construction for long cycle life and 5,000 PSI operation
- Triple track piston rod design for field adjustable swing direction
- Hardened and hard chrome plated piston rod for increased strength and wear resistance
- Advanced metal treated body for superior wear and corrosion resistance
- MRO interchange design
- Straight pull capacity 1,400 lbs. at 5,000 PSI max



Performance

- With 031-L-1100 Arm (5.31" long)
- - - With 031-S-1100 Arm (1.89" long)
- Straight Pull

For 1,100 lb. Swing/Pull Clamp Arms see Page 19.10



Cat. no.	Specifications							Max Oil Flow in ³ /m in
	Oper.	Swing Direction	*Force (lbs.)	Eff. Area (sq. In.) Clamp	Eff. Area (sq. In.) Unclamp	Oil Cap. (cu. In.) Clamp	Oil Cap. (cu. In.) Unclamp	
030-1-S-1000 (-X)	Single-Acting	Left Hand (Counter Clockwise) Right Hand (Clockwise)	1100	0.28	-	0.25	-	25
030-1-D-1000 (-X)	Double-acting	Right Hand (Clockwise) Straight Pull			0.59		0.52	

Ordering Notes:

- Left hand swing (ccw) is standard—no suffix
- Add -R suffix for right hand swing
- Add -S suffix for straight guided pull

Cat. no.	Specifications																		
	A Total Stroke	B Clamping Stroke	C	D Clamp Port	E Unclamp Port	F	G	H	J	K	L	M	N	P	Q	R	S	T	U
030-1-S-1100	0.89	0.39	0.6	SAE-4	SAE-4	2.4	2.6	3.58	5.305	0.94	M8 x 1.25	0.196	0.629	1-3/8-18UN	5.965	0.400	1.5	1.87	0.75
030-1-D-1100																			

NOTE: *With 1.89" long arm at 5,000 PSI maximum operating pressure.
^ΔDo not pressurize – single-acting only
[†] See page 19.10 for arms, accessories and custom arm mounting

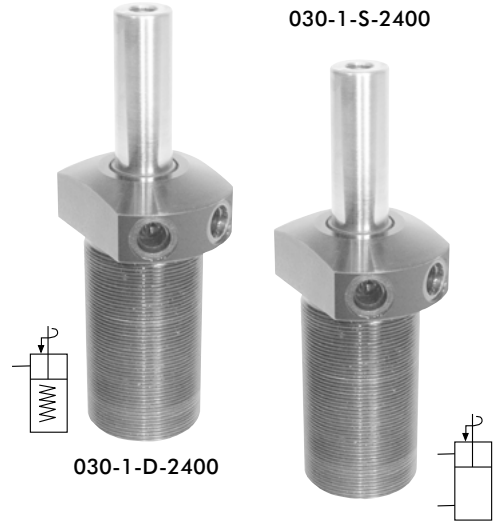
Series 030 Hydraulic Swing/Pull Clamps – 2,400 lb.

The DE-STA-CO Threaded Body Swing/Pull Clamps are available in both single-acting and double-acting versions. They incorporate the latest hydraulic swing clamp technology. The top port design allows easy access for plumbing connections.

They are available with 90° left or right hand rotation, or with guided straight pull. The breather port on single-acting models may be replaced with tubing for remote venting. The optional arms clamp securely to the piston rod to reduce fatigue and deflection. Arms may be easily modified or custom arms may be substituted.

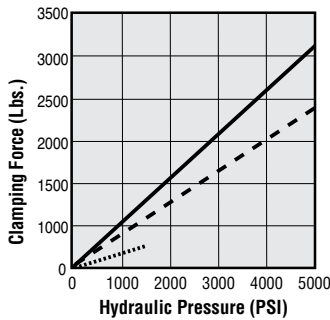
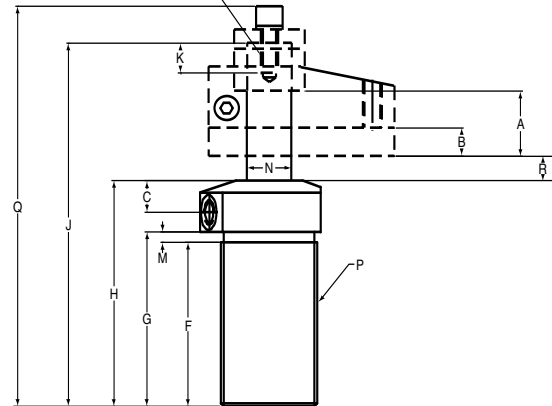
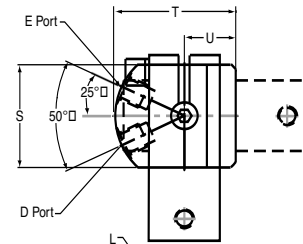
Features:

- Advanced seals and wipers utilize a special, highly wear-resistant construction for long cycle life and 5,000 PSI operation
- Triple track piston rod design for field adjustable swing direction
- Hardened and hard chrome plated piston rod for increased strength and wear resistance
- Advanced metal treated body for superior wear and corrosion resistance
- MRO interchange design
- Straight pull capacity 3,150 lbs. at 5,000 PSI max



030-1-D-2400

030-1-S-2400



For 2,400 lb. Swing/Pull Clamp Arms see Page 19.10

Performance

- With 031-L-2400 Arm (6.36" long)
- - - With 031-S-2400 Arm (2.43" long)
- Straight Pull

Cat. no.	Specifications							Max Oil Flow in ³ /m in
	Oper.	Swing Direction	*Force (lbs.)	Eff. Area (sq. In.) Clamp	Oil Cap. (cu. In.) Unclamp	Oil Cap. (cu. In.) Clamp	Oil Cap. (cu. In.) Unclamp	
030-1-S-2400 (-X)	Single-Acting	Left Hand (Counter Clockwise) Right Hand (Clockwise)	2400	0.63	-	0.07	-	100
030-1-D-2400 (-X)	Double-acting	Straight Pull			1.23		0.14	

Ordering Notes:

- Left hand swing (ccw) is standard—no suffix
- Add -R suffix for right hand swing
- Add -S suffix for straight guided pull

Cat. no.	Specifications																		
	A Total Stroke	B Clamping Stroke	C	D Clamp Port	E Unclamp Port	F	G	H	J	K	L	M	N	P	Q	R	S	T	U
030-1-S-2400	1.12	0.5	0.62	SAE-4	SAE-4	t	3.38	4.38	6.8	1.28	M10x1.5	0.196	0.87	1-7/8-16UN	7.543	0.517	2.0	2.38	1.0
030-1-D-2400																			

NOTE: *With 2.43" long arm at 5,000 PSI maximum operating pressure.
 † Do not pressurize – single-acting only
 ‡ See page 19.10 for arms, accessories and custom arm mounting

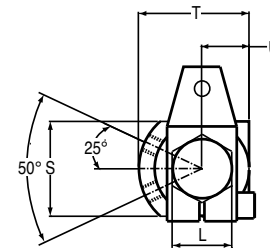
Series 030 Hydraulic Swing/Pull Clamps – 4,000 lb.

The DE-STA-CO Threaded Body Swing/Pull Clamps are available in both single-acting and double-acting versions. They incorporate the latest hydraulic swing clamp technology. The top port design allows easy access for plumbing connections.

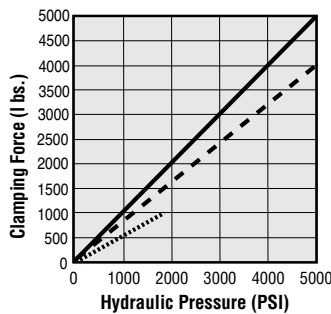
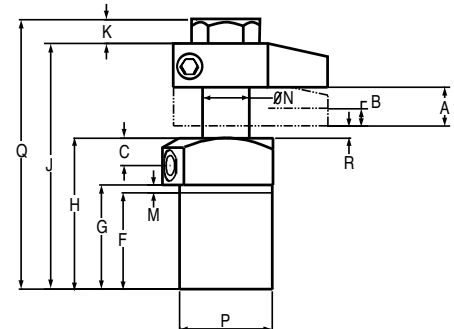
They are available with 90° left or right hand rotation, or with guided straight pull. The breather port on single-acting models may be replaced with tubing for remote venting. The optional arms clamp securely to the piston rod to reduce fatigue and deflection. Arms may be easily modified or custom arms may be substituted.

Features:

- Advanced seals and wipers utilize a special, highly wear-resistant construction for long cycle life and 5,000 PSI operation
- Triple track piston rod design for field adjustable swing direction
- Hardened and hard chrome plated piston rod for increased strength and wear resistance
- Advanced metal treated body for superior wear and corrosion resistance
- MRO interchange design
- Straight pull capacity 5,500 lbs. at 5,000 PSI max



For 4,000 lb. Swing/Pull Clamp Arms see Page 19.11



Performance

- With 031-L-4000 Arm (X.XX" long)
- - - With 031-S-4000 Arm (X(7.01" long)
- Straight Pull (2.75" long)

Cat. no.	Specifications							Max Oil Flow in ³ /m in
	Oper.	Swing Direction	*Force (lbs.)	Eff. Area (sq. In.) Clamp	Eff. Area (sq. In.) Unclamp	Oil Cap. (cu. In.) Clamp	Oil Cap. (cu. In.) Unclamp	
030-1-S-4000 (-X)	Single-Acting	Left Hand (Counter Clockwise) Right Hand (Clockwise)	4000	1.10	-	1.22	-	140
030-1-D-4000 (-X) ⓘ	Double-acting	Straight Pull			2.35		2.60	

Ordering Notes:

- Left hand swing (ccw) is standard—no suffix
- Add -R suffix for right hand swing
- Add -S suffix for straight guided pull

ⓘ This item is available upon request

Cat. no.	Specifications																			
	A Total Stroke	B Clamping Stroke	C	D Clamp Port	E Unclamp Port	F	G	H	J	K	L	M	N	P	Q	R	S	T	U	
030-1-S-4000																				
030-1-D-4000 ⓘ	1.07	0.45	0.75	SAE#4	SAE#4	2.70	2.83	4.09	6.67	0.64	1.61	0.14	1.26	2-1/2-16UN	7.30	0.33	2.56	2.99	1.28	

ⓘ This item is available upon request

NOTE: *With 2.75" long arm at 5,000 PSI maximum operating pressure.

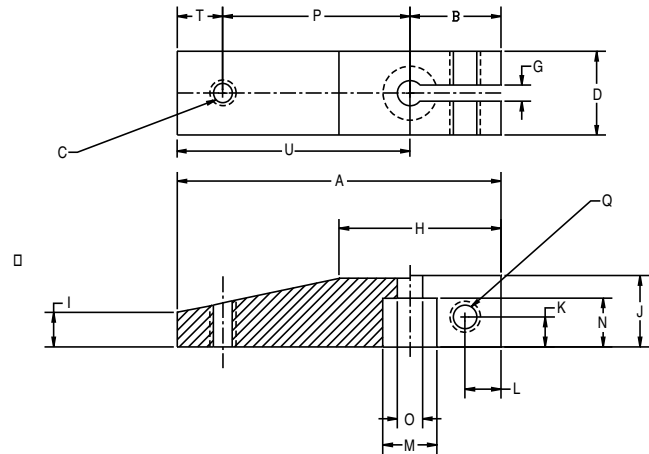
‡Do not pressurize – single-acting only

† See page 19.10 for arms, accessories and custom arm mounting

Series 030 Hydraulic Swing/Pull Clamps 475-2,400 lb. Arms

Custom built arms of any length must clamp to the swing/pull clamp's piston rod in a manner similar to the DE-STA-CO arms or some derating of the clamp will be necessary.

The design feature "K," in the chart and drawing at the bottom of this page, is recommended for all applications of custom, single arms. See the accompanying chart for design details. In applications where there is no bending stress being transferred into the piston rod (like push/pull linkages and equalizing double arms), this design detail may be eliminated. In these applications, the clamp's full capacity (referred to as "straight pull" capacity) is available.



Cat. no.	Specifications															Weight (lbs.)				
	A	B	C	D	G	H	I	J	K	L	M	N	O	P	Q		T	U		
031-S-475	1.929	0.709	M6	0.63	0.126	1.139	0.394	0.630	0.236	0.217	0.394	0.394	0.256	0.984	M6	0.236	1.220	0.159		
031-L-475	3.959	0.709	-	0.63		1.166	0.394	0.630			0.394	0.394	0.256	-	M6	-	-	-	3.250	0.348
031-S-1100	2.598	0.709	M8	0.748		1.294	0.433	0.748			0.630	0.472	0.33	1.575	M6	0.315	1.889	0.286		
031-L-1100	6.019	0.709	-	0.748	1.412	0.433	0.748	0.630	0.472	0.335	-	M6	-	-	-	5.310	0.721			
031-S-2400	3.268	0.866	M10	1.125	1.459	0.633	1.00	0.866	0.709	0.413	1.969	M8	0.433	2.402	0.634					
031-L-2400	7.226	0.866	-	1.125	1.696	0.633	1.00	0.866	0.709	0.413	-	M8	-	-	-	6.360	1.564			

IMPORTANT: Any clamp using a modified or custom arm that is longer or heavier than DE-STA-CO's standard arms must be derated to prevent internal damage.
 Do not exceed the maximum speed and pressure ratings for DE-STA-CO's standard arms.
 For maximum hydraulic pressure and speed ratings, see the accompanying charts
 Do not use meter-out circuitry for controlling double-acting clamp speeds
 Contact DE-STA-CO if further design assistance is required

Custom Arm Mounting Dimensions for Swing/Pull Clamps

Shaft Dia.	Specifications										
	A	B	C	D	E	F	G	H	J	K	M
10 MM	0.394	0.256	0.63	0.63	0.709		0.394	0.236	0.217		M6 x 1.0
16MM	0.630	0.335	0.748	0.748	0.709	1.26	0.472	0.236	0.217	0.30	M6 x 1.0
22 MM	0.866	0.413	1.00	1.00	0.866		0.709	0.236	0.217		M8 x 1.25

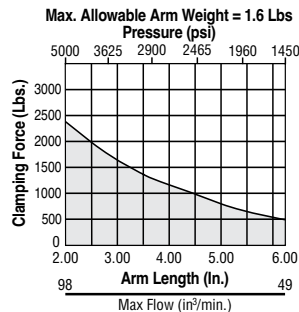
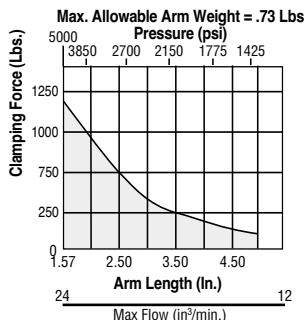
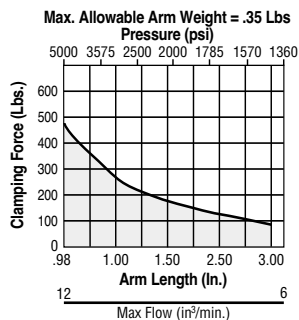
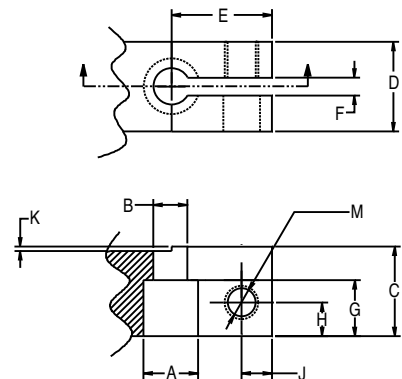


Chart Legend

- Maximum Length / Pressure
- ▭ Operating Range

Clamps must operate at or below maximum/arm length/pressure curve:

To approximate clamping force with any arm at less than maximum pressure:

$$FORCE = P \times A \times [1 - (P/M \times .23)]$$

P = Hyd. system operating pressure (PSI)

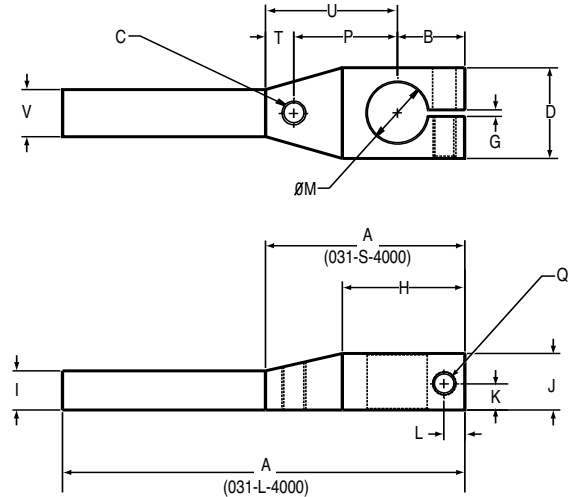
A = Clamp effective area (sq. in.)

M = Max. rated pressure of chosen arm length (PSI)

Series 030 Hydraulic Swing/Pull Clamps – 4,000 lb. Arms

Custom built arms of any length must clamp to the swing/pull clamp's piston rod in a manner similar to the DE-STA-CO arms or some derating of the clamp will be necessary.

The design feature "K," in the chart and drawing at the bottom of this page, is recommended for all applications of custom, single arms. See the accompanying chart for design details. In applications where there is no bending stress being transferred into the piston rod (like push/pull linkages and equalizing double arms), this design detail may be eliminated. In these applications, the clamp's full capacity (referred to as "straight pull" capacity) is available.

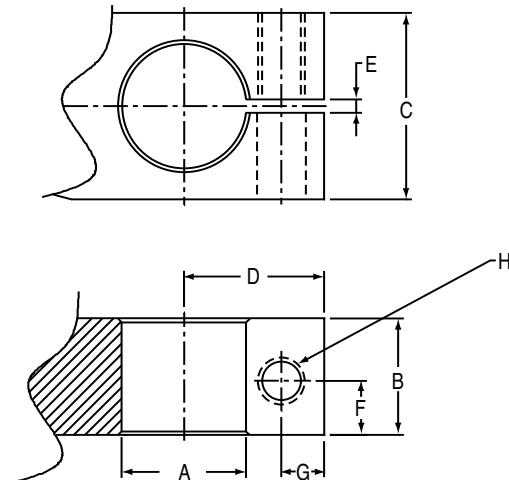


Cat no.	Specifications																Weight (lbs.)
	A	B	C	D	G	H	I	J	K	L	M	P	Q	T	U	V	
031-S-4000	4.17	1.42	1/2-13	1.89	0.138	2.56	0.83	1.18	0.55	0.43	1.26	2.17	M12	0.58	2.75	0.98	1.80
031-L-4000	8.43	1.42	1/2-13	1.89	0.138	2.56	0.83	1.18	0.55	0.43	1.26	-	M12	-	7.01	0.98	2.80

IMPORTANT: Any clamp using a modified or custom arm that is longer or heavier than DE-STA-CO's standard arms must be derated to prevent internal damage.
 Do not exceed the maximum speed and pressure ratings for DE-STA-CO's standard arms.
 For maximum hydraulic pressure and speed ratings, see the accompanying charts
 Do not use meter-out circuitry for controlling double-acting clamp speeds
 Contact DE-STA-CO if further design assistance is required

Custom Arm Mounting Dimensions for 4,000 lb. Swing/Pull Clamps

Cat no.	Specifications							
	A	B	C	D	E	F	G	H
32MM	1.26	1.18	1.89	1.42	0.138	0.55	0.43	M12 x 1.75



031-S-4000 • 031-L-4000

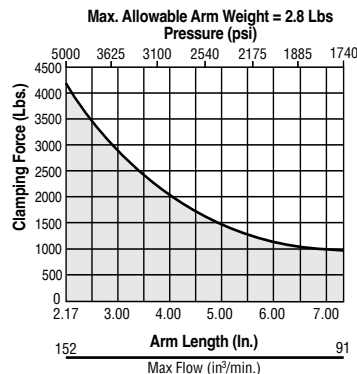


Chart Legend

— Maximum Length / Pressure
 [Shaded Area] Operating Range
 Clamps must operate at or below maximum/arm length/pressure curve:
 To approximate clamping force with any arm at less than maximum pressure:
FORCE = P x A x [1 - (P/M x .23)]
P = Hyd. system operating pressure (PSI)
A = Clamp effective area (sq. in.)
M = Max. rated pressure of chosen arm length (PSI)

Series 039 Air/Hydraulic Power Boosters

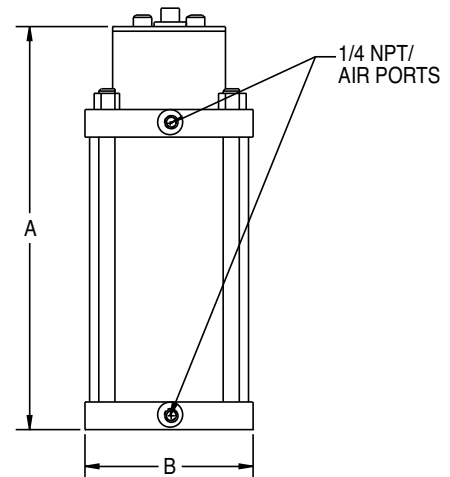
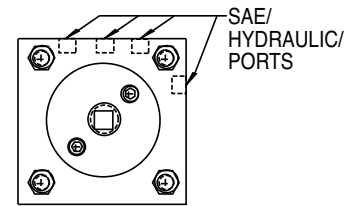
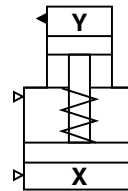
The De-Sta-Co Air/Hydraulic Power Booster converts normal shop-line air pressure to high-pressure hydraulic power. The six models available provide oil displacements ranging from 1 cu. in. to 12 cu. in. per stroke.

With the system filled, the volume of oil required to actuate a cylinder or pressure point is only equal to the cubic content of the piston displacement. The small booster, producing 1 cu. in. of usable oil per stroke, can operate 50 of the tiny 1/2-20 pressure points a full .22 max. stroke, and even more when strokes are kept to a minimum.

Features:

- Built-in manifold
- Complete automatic bleeding with each return stroke
- Automatic relief of system overcharge
- Automatic bleeding feature eliminates pre-filling
- Large volume visible oil reservoir automatically replenishes the system with reserve oil capacity
- Corrosion and wear-resistant materials
- Wear rings on hydraulic piston tube
- Unique self-centering air piston assures long life
- Increases hydraulic pressure to 3,000 PSIG from 100 PSIG air-line pressure
- All models supplied with SAE hydraulic ports
- NPT hydraulic ports available on request

039-104-000DE



Model no.	Press Ratio	Displacement Per Stroke	Nominal Reservoir Capacity	Weight	Dimensions		Ports
					A	B (Square)	
039-101-000DE	33.87:1	1 cu. in.	10.4 cu. in.	9 lbs.	10.88	4.50	SAE #4
039-104-000DE	32.41:1	4 cu. in.	42 cu. in.	23 lbs.	16.38	6.50	SAE #4
039-108-000DE	30.97:1	8 cu. in.	96 cu. in.	43 lbs., 8 oz.	18.00	8.50	SAE #4
039-109-000DE	45.38:1	5 cu. in.	96 cu. in.	43 lbs.	18.00	8.50	SAE #4

(100 PSIG max. input air pressure)

Note: Special High Temperature Seals available for applications where Viton Seals are required. Order as H/T option.

