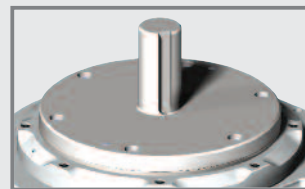
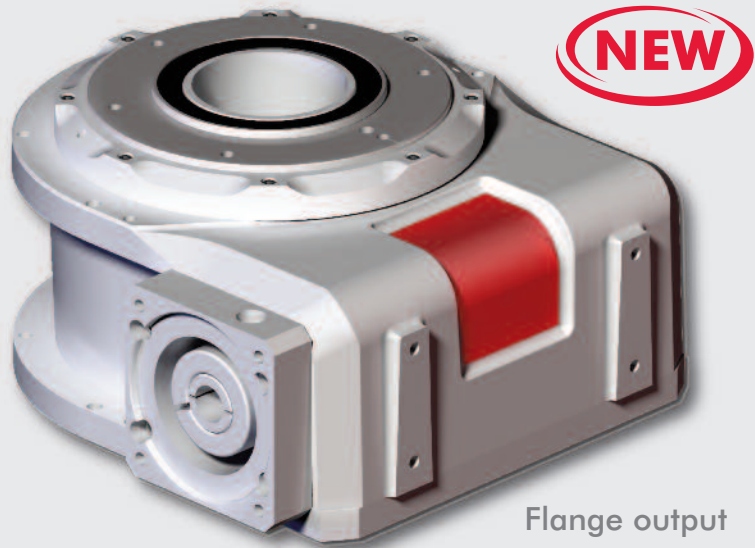


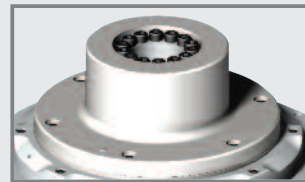
# SMARTER INDEXING

The **CAMCO RSD Rotary Servo Drive** is a zero-backlash, cam-actuated drive compatible with industry-standard servo motors for precise control, efficiency and flexibility.

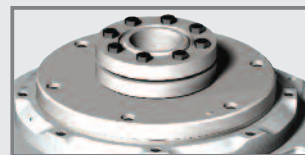
- Designed to accept a variety of servo motors
- Preloaded system
  - Zero backlash
  - High accuracy
  - Smooth motion
  - Quiet operation
  - High speed
- Indexing flexibility
  - Run different parts on the same indexer
  - Variable indexing: reversing, sorting, vary distance with each index
- 4:1 to 18:1 ratios in a single stage
- Features
  - Universal mounting
  - Maintenance-free operation
  - Large output bearing for greater overturning moment capacity
  - Large thru-hole for accessory lines (electric, pneumatic, etc.)
  - IP-65 rating
  - Class 100 rated with Med-Redi preparation



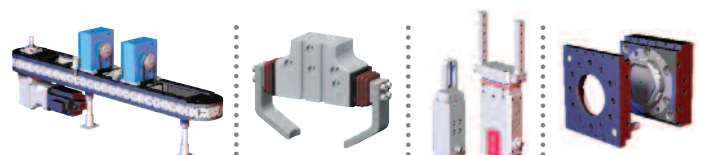
Shaft output



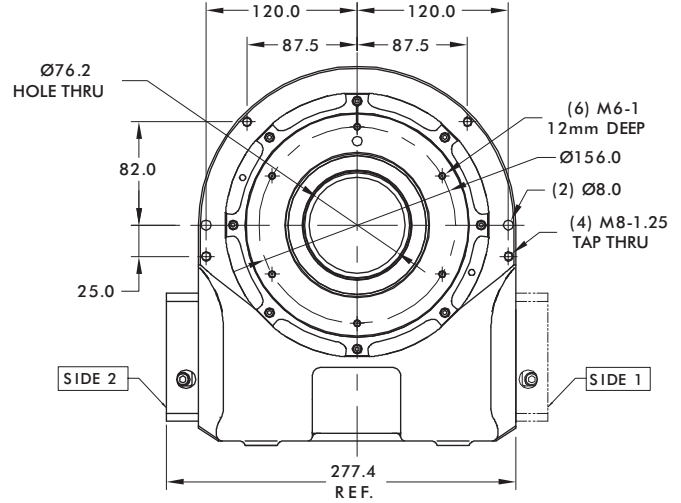
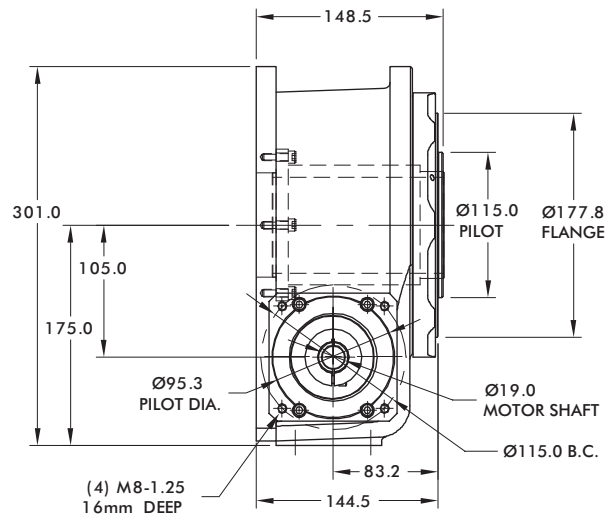
Internal shrink disk output



Shrink disk output



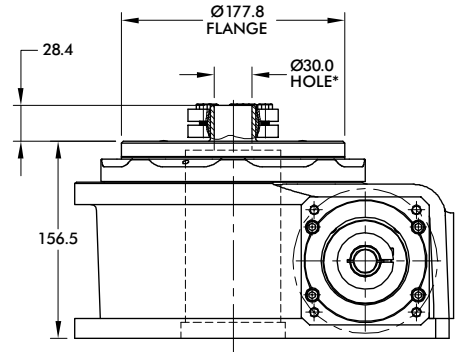
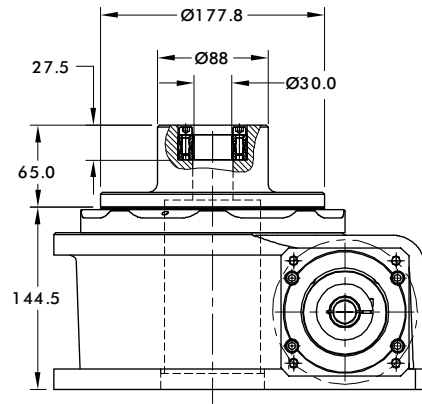
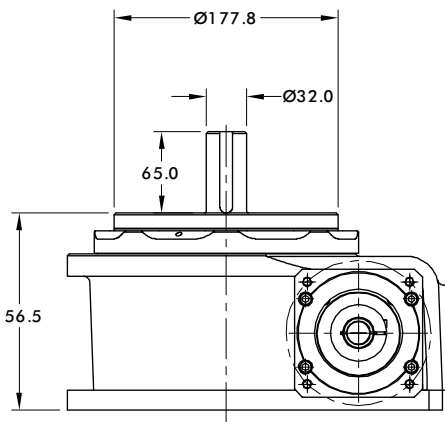
## RSD Series with Flange Output



Shaft Output

Internal Shrink Disk Output

Shrink Disk Output



\* Also available with 40mm bore.

## Series 115RSD Technical Information

Specifications	Units	Standard Ratios					Other Available Ratios				
Single Reduction Ratio	-	8:1	16:1	4:1	5:1	6:1	9:1	12:1	15:1	18:1	
Max Inertia on Output Dial	kgm <sup>2</sup>	5.70	22.8	1.42	2.23	3.20	7.21	12.8	20.8	28.8	
Inertia reflected at Input Shaft	kgm <sup>2</sup>	0.00029	0.00036	0.00041	0.00049	0.00027	0.00030	0.00065	0.00038	0.00032	
Assembly Torque	Nm	3.390					3.390				
Maximum Axial Load	N	10,102					10,102				
Maximum Radial Load	N	4,050					4,050				
Maximum Offset Load (Overturning Moment)	Nm	359					359				
Dial Flatness	mm TIR	0.0508					0.0508				
Axial Run-Out	mm TIR	0.0381					0.0381				
Accuracy	arc sec.	±30					±30				
Repeatability	arc sec.	±7					±7				